

STARplus TYPE SP12-TV3 MECHANISM

HOMOLOGATED | Scissor Type, Wide Pneumatic Suspension

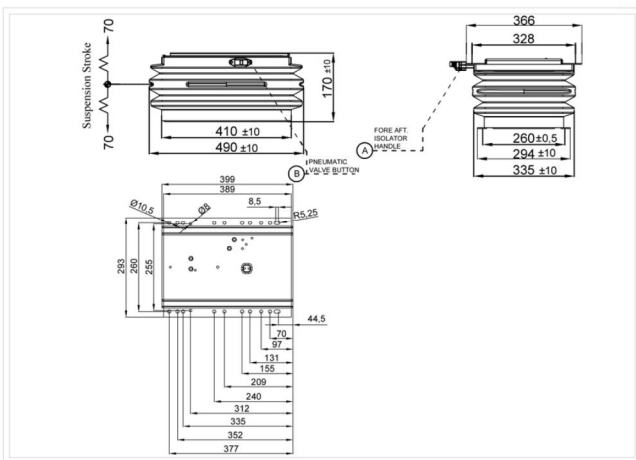
- **Pneumatic Suspension** with air spring & hydraulic shock-absorber
With 12V or 24V | 9A Built-In Compressor
- 140mm Suspension Stroke
- 50-150kg Automatic Operator Weight Adjustment
- Fore/Aft Isolator With Damper 35mm Travel
- Universal Fixing Base
- **1322/2014 (2018/830W2) EEC Homologation Certification**








Fore/Aft Isolator Handle

Paddle Valve Button

Power Cable



				
Air Springs	Hydraulic Shock Absorber	Fore/aft Isolator	Automatic Weight Adjustment	LOW Frequency Mechanism



STplus TV3

C. Width Backrest 475mm
430mm

Fore/aft Adjustment (With Double Lock)

min. 190mm

Backrest Adjustment

Back: 30° | Front: 85°

STplus TV3-LX

C. Width Backrest 485mm
475mm

Fore/aft Adjustment (With Double Lock)

min. 190mm

Backrest Adjustment

Back: 30° | Front: 85°



NEW
3CTRL
ADJUSTMENT
Depth | Tilt | Backrest



Depth Adjustment

Tilt Adjustment

Backrest Adjustment

STplus TV3-LX 3CTRL

C. Width Backrest 520mm
445mm

Fore/aft Adjustment (With Double Lock)

min. 190mm

Backrest Adjustment

Back: 30° | Front: 85°

Seat Cushion Depth Adjustment

40mm

Seat Cushion Tilt Adjustment

6°

NEW



Backrest Adjustment

Depth Adjustment

STplus TV340

C. Width Backrest 400mm

Fore/aft Adjustment (With Double Lock)

min. 190mm

Backrest Adjustment

Back: 30° | Front: 85°

Seat Cushion Depth Adjustment

40mm



Seat Cushion Depth Adj.



NEW



**3CTRL
ADJUSTMENT**
Depth | Tilt | Backrest



NEW



STplus TV3700

C. Width Backrest 500mm
495mm

Fore/aft Adjustment (With Double Lock) min. 190mm

Backrest Adjustment Back: 30° | Front: 85°



STplus TV3700 3CTRL

C. Width Backrest 520mm
495mm

Fore/aft Adjustment (With Double Lock) min. 190mm

Backrest Adjustment Back: 30° | Front: 85°

Seat Cushion Depth Adjustment 40mm

Seat Cushion Tilt Adjustment 6°



Short Backrest
Trim Upholstery - Vinyl / Cloth (cut&sew)

STplus TV3650

C. Width Backrest 475mm
465mm

Fore/aft Adjustment (With Double Lock) min. 190mm

Backrest Adjustment Back: 42° | Front: 5°

Certification M2-M3 | N2-N3



Long Backrest
Trim Upholstery - Vinyl / Cloth (cut&sew)

STplus TV3730

C. Width Backrest 475mm
465mm

Fore/aft Adjustment (With Double Lock) min. 190mm

Backrest Adjustment Back: 42° | Front: 5°

Certification M2-M3 | N2-N3

Adjustable Seat Cushion



Fore and Aft: 70mm

Lumbar Adjustment



Adjustable Armrest



20mm

3P Automatic Seat Belt



Standard Covering

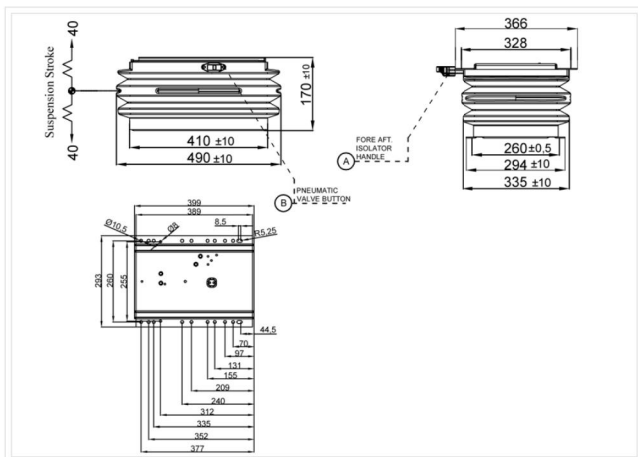


STARplus TYPE

SP12-TV5 MECHANISM

HOMOLOGATED | Scissor Type, Wide Pneumatic Suspension

- **Pneumatic Suspension** with air spring & hydraulic shock-absorber
With 12V or 24V | 9A Built-In Compressor
- 80mm Suspension Stroke
- 50-150kg Manuel Operator Weight Adjustment
- Fore/Aft Isolator 35mm Travel
- Universal Fixing Base
- **1322/2014 (2018/830W2) EEC Homologation Certification**



Air Springs



Hydraulic Shock Absorber



Fore/aft Isolator



Automatic Weight Adjustment



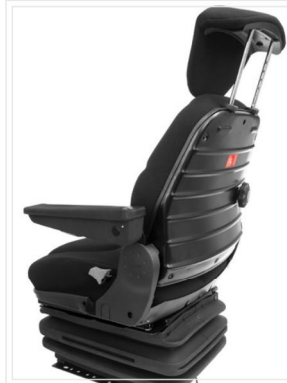
LOW Frequency Mechanism



STplus TV5

C. Width 475mm
Backrest 430mm

Fore/aft Adjustment min. 190mm
Backrest Adjustment Back: 30° | Front: 85°



STplus TV5-LX

C. Width 485mm
Backrest 475mm

Fore/aft Adjustment min. 190mm
Backrest Adjustment Back: 30° | Front: 85°



STplus TV5700

C. Width 500mm
Backrest 495mm

Fore/aft Adjustment (With Double Lock) min. 190mm
Backrest Adjustment Back: 30° | Front: 85°

**3CTRL
ADJUSTMENT**
Depth | Tilt | Backrest



STplus TV5700 3CTRL

C. Width 520mm
Backrest 495mm

Fore/aft Adjustment (With Double Lock) min. 190mm
Backrest Adjustment Back: 30° | Front: 85°
Seat Cushion Depth Adjustment 40mm
Seat Cushion Tilt Adjustment 6°

STARplus TYPE

SP12-TV6 MECHANISM

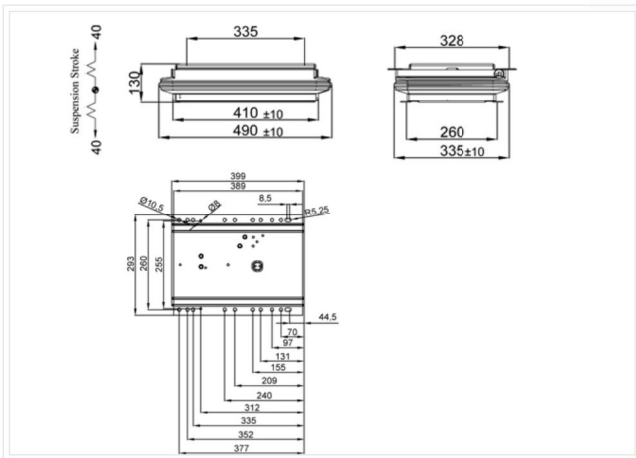
HOMOLOGATED | Scissor Type, Wide Pneumatic Suspension

- **Pneumatic Suspension** with air spring & hydraulic shock-absorber
With 12V or 24V | 9A Built-In Compressor
- 80mm Suspension Stroke
- 50-150kg Manual Operator Weight Adjustment
- Universal Fixing Base
- **1322/2014 (2018/830W2) EEC Homologation Certification**



Paddle Valve Button

Power Cable



Air Springs



Hydraulic Shock Absorber



Fore/aft Isolator



Automatic Weight Adjustment



LOW Frequency Mechanism



STplus TV6

C. Width
Backrest

475mm
430mm

Fore/aft Adjustment

min. 190mm

Backrest Adjustment

Back: 30° | Front: 85°



STplus TV6-LX

C. Width
Backrest

485mm
475mm

Fore/aft Adjustment

min. 190mm

Backrest Adjustment

Back: 30° | Front: 85°